

**DESCRIPTION**

The RM-500 is a desktop type remote microphone for general broadcasts.

Equipped with an LCD screen, it can display up to 80 function names registered in advance, allowing these functions to be executed with the key operation.

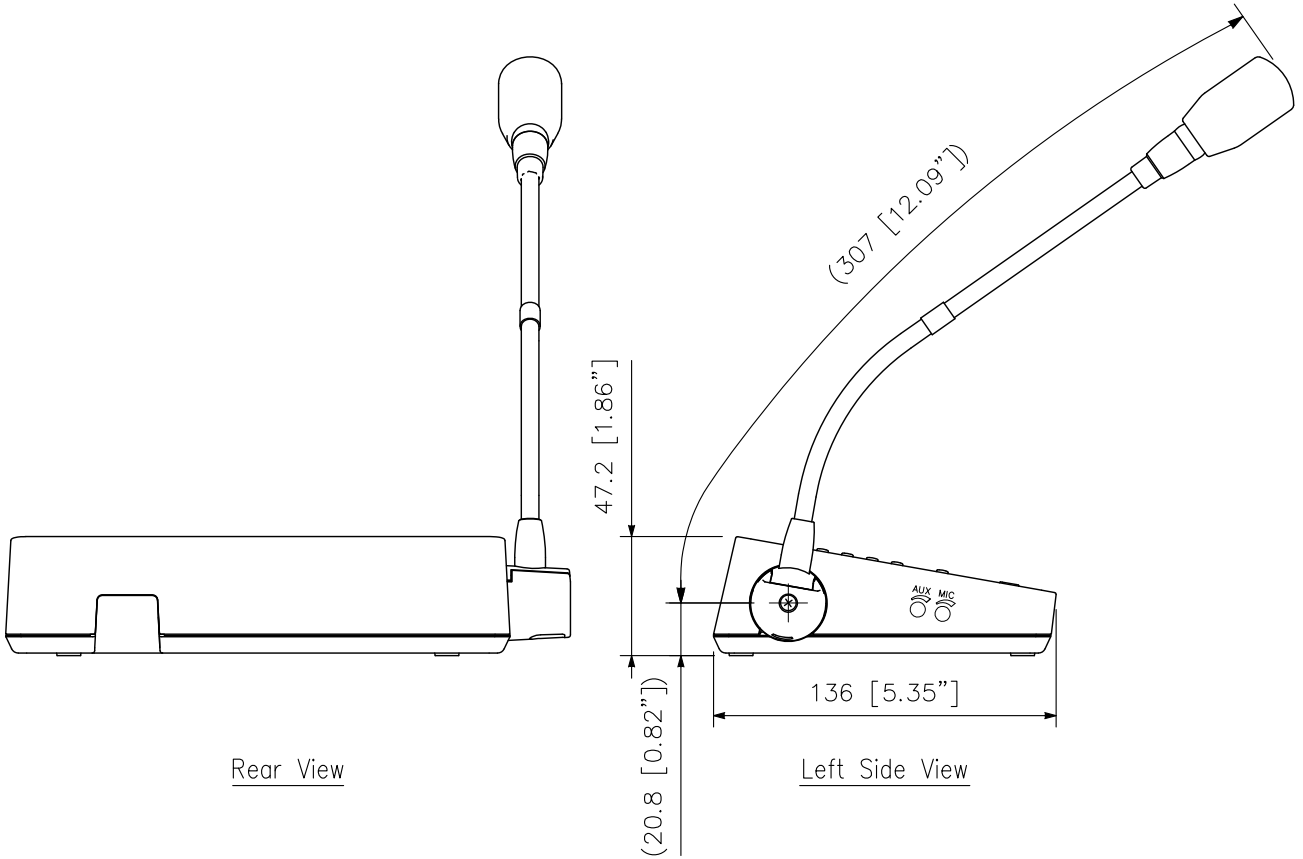
The AUX key allows only the external audio signals to be controlled regardless of whether the microphone broadcasts are present or not. The speech intelligibility function makes it easier to hear the microphone announcements even in noisy environments, and also allows the microphone to pick up the audio signals at an appropriate level even if speaking too close to or too far from it. The RM-500 can be mounted on the wall by using an optional wall mounting bracket.

**SPECIFICATIONS**

Power Source	24 V DC (operating range: 15 – 33 V DC) Supplied from the applicable system (RJ45 connector) or the optional AD-246 AC adapter (DC input power supply connector) Usable DC power supply plug: 5.5 mm (0.22") outer diameter, 2.1 mm (0.08") inner diameter, 9.5 mm (0.37") long, polarized, center positive
Current Consumption	130 mA or less
Audio Output	0 dB (*1), balanced, RJ45 connector
AUX Input	1 channel, unbalanced, LINE/MIC (selectable with the Setting switch) LINE: -20 dB (*1), 10 kΩ, push-in terminal block MIC: -60 dB (*1), 2.2 kΩ, push-in terminal block
Control Input	1 channel, no-voltage make contact inputs, open voltage: 33 V DC, short-circuit current: 10 mA, push-in terminal block
Control Output	1 channel, open collector output, withstand voltage: 30 V DC, control current: 35 mA, push-in terminal block
Distortion	1 % or less
Frequency Response	100 Hz – 20 kHz
Signal to Noise Ratio	60 dB or more
Microphone	Unidirectional electret condenser microphone
Chime	Uses the built-in sound sources of the main system unit (one of them selectable by the main system settings)
Level Control	Microphone volume control, AUX volume control
RM Link	Shielded Category 5 twisted pair LAN cable (CAT5-STP), RJ45 connector Maximum cable distance: 1200 m (3937.01 ft) (when powered by the optional AD-246 AC adapter)
External Equipment Connection Cable	Solid copper wire: $\varnothing$ 0.4 – $\varnothing$ 1.1 mm (AWG 28 – 17)
Operation	Numeric key $\times$ 10, Left/right selection key $\times$ 2, F1/F2 key $\times$ 2, ALL key $\times$ 1, Clear key $\times$ 1, Talk key $\times$ 1, AUX key $\times$ 1
Indicator	LCD display: 3" (255 $\times$ 160 dots), with backlight Indicator: Talk indicator (green), Microphone indicator (green)
Operating Temperature	0 °C to +40 °C (32 °F to 104 °F)
Operating Humidity	90 %RH or less (no condensation)
Finish	ABS resin, black, paint
Dimensions	224 (W) $\times$ 47.2 (H) $\times$ 136 (D) mm (8.82" $\times$ 1.86" $\times$ 5.35") (excluding microphone)
Weight	620 g (1.37 lb)
Accessory	Zip tie $\times$ 2
Option	Wall mounting bracket: WB-RM500 AC adapter: AD-246
Applicable System	VX-3000 Series

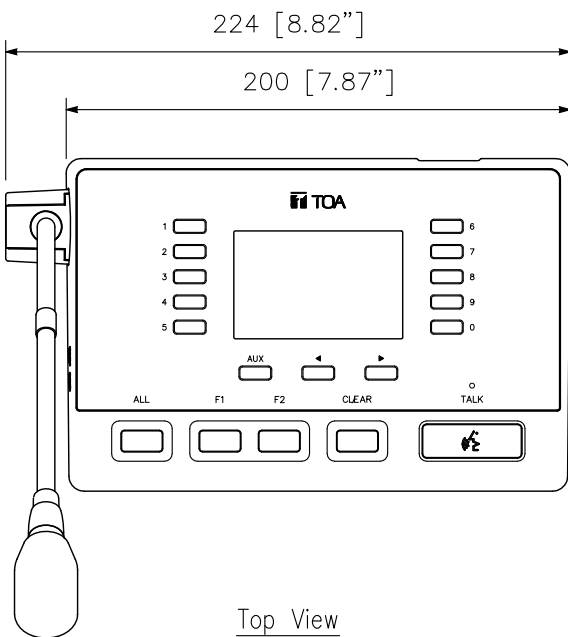
(\*1) 0 dB = 1 V

■ APPEARANCE

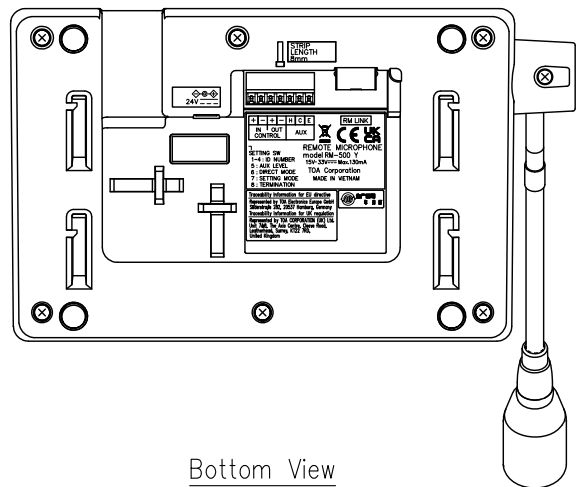


Rear View

Left Side View



Top View



Bottom View

UNIT:mm SCALE:1/3

Note: Numerical values in parentheses are for reference only.