



REAL-TIME STEERING ARRAY MICROPHONE

AM-1B

DESCRIPTION

The AM-1B is a high sound quality microphone system that features automatic adjustment capability in a slim configuration. Composed of an array microphone connected to a separate control unit, it is ideal for installations and use on lecterns. The array microphone unit's eight internal microphones detect and track the location of the sound source, picking up audio clearly and without interruption, allowing speakers to conduct presentations more naturally without worrying about the location of the microphone. In addition, setup of operation can be performed using an iPad® or PC browser. The control unit can be mounted in an EIA Standard rack with the use of optional rack-mounting brackets. (1-unit size)

SPECIFICATIONS

Product Composition	Array microphone ...1, Control unit ...1
Array Microphone	
Power Source	24 V DC (supplied from the Control unit)
Microphone	Unidirectional electret condenser microphone
Directivity Angle	Horizontal: 50° (800 Hz - 18 kHz, Array mode), 180° (Cardioid mode), Vertical: 90°
Frequency Response	150 Hz - 18 kHz
Maximum Input Sound Pressure	100 dB SPL
Operation	Mute switch
Indicator	Microphone status indicator (output: green, mute: red)
Microphone Cable	Shielded twisted pair cable 10 m (32.81 ft) with connector equivalent to TA-3
Maximum Cable Distance	70 m (229.66 ft) (use of the AES/EBU cable)
Finish	Body, Punched net: Surface-treated steel plate, black, 30% gloss Side cover: ABS resin, black
Dimensions	483.9 (W) × 22.1 (H) × 64.9 (D) mm (19.05" × 0.87" × 2.56") (excluding Cable)
Weight	1.2 kg (2.65 lb)
Control Unit	
Power Source	24 V DC (supplied from the AC adapter (option)) Usable DC power supply plug: 5.5 mm (0.22") outer diameter, 2.1 mm (0.08") inner diameter, 9.5 mm (0.37") long, and non-polarity type.
Current Consumption	410 mA or less
Signal to Noise Ratio	90 dB or more
Input	Combined type of TA-3 (dedicated to the array microphone)
Output	Combined type of XLR-3-32, Removable terminal block (3 pins)
Network	Network I/F: 10BASE-T/100BASE-TX, RJ45 connector Network protocol: TCP/IP, HTTP
Level Control	Output level selection (+4 dB (*1), -10 dB (*2), -50 dB (*1)) LOW CUT ON/OFF
Operation	Power switch
Indicators	Power indicator (blue), Mute indicator (red), Signal indicator (green)
Finish	Pre-coated steel plate, black, 30 % gloss
Dimensions	210 (W) × 45.7 (H) × 271.5 (D) mm (8.27" × 1.8" × 10.69")
Weight	1.5 kg (3.31 lb)
Dedicated Software	iPad app, PC browser software (for setting of tracking distance/range, sensitivity/speed, mute ON/OFF)
Operating Temperature	0 °C to +40 °C (32 °F to 104 °F)
Operating Humidity	90 %RH (no condensation)
Accessory	Removable terminal plug (3 pins) ...1
Option	AC adapter: AD-246 Rack mounting bracket: MB-15B-BK (for rack mounting one control unit) MB-15B-J (for rack mounting two control units) Wall mounting bracket: YC-850 (for one control unit)

(*1) 0 dB = 0.775 V

(*2) 0 dB = 1 V

Personal Computer Requirements

OS	Windows 7 Professional (32 bits), Windows 10 Pro (64 bits) (These are the verified operating systems.)
Required Web Browser	Google Chrome (Version 56.0.2924.87), Internet Explorer 10 (Version 10.0.9200.17609) (These are the verified web browser programs and versions.)

iPad Requirements

OS	iOS 8.1.3, iOS 9.3.5, iOS 10.1.1 (These are the verified versions.)
----	---

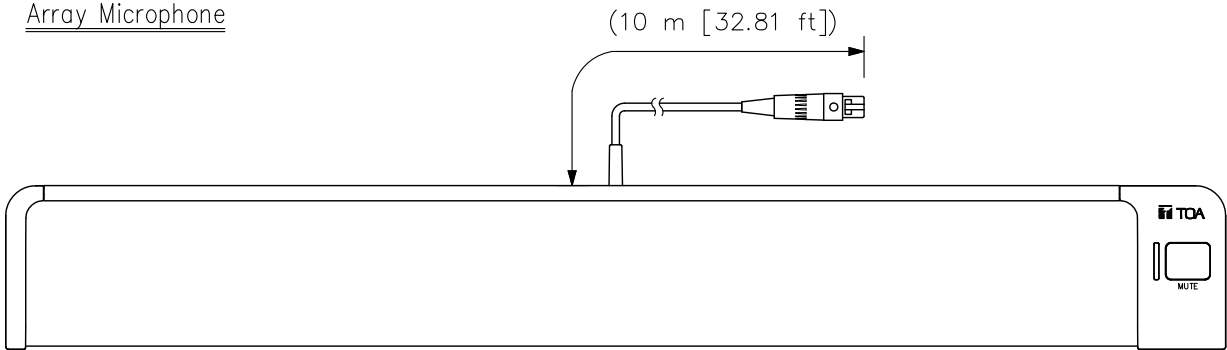
* Windows is a registered trademark or trademark of Microsoft Corporation in the United States and/or other countries.

* iPad is a registered trademark of Apple Inc.

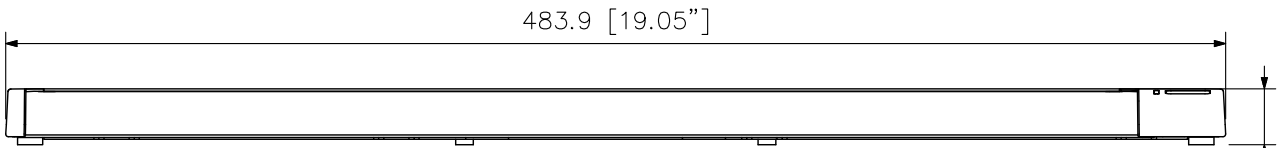
* Other company names and products are also trademarks of individual companies.

■ APPEARANCE

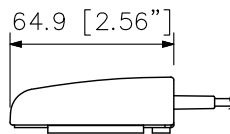
Array Microphone



Top View



Front View

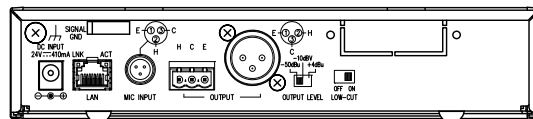


Side View

22.1 [0.87"]

Control Unit

Rear View

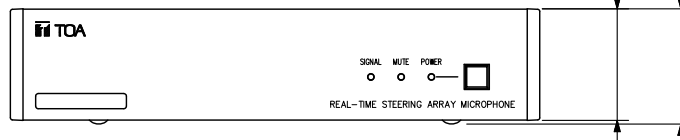


210 [8.27"]

44.3 [1.74"]

45.7 [1.8"]

Front View

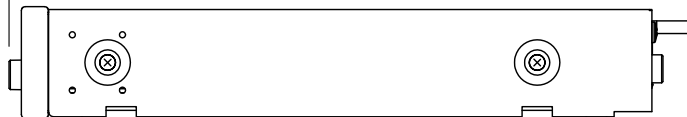


271.5 [10.69"]

250.1 [9.85"]

16.5 [0.65"]

Side View



UNIT:mm SCALE:1/3

Note: Numerical values in parentheses are for reference only.