

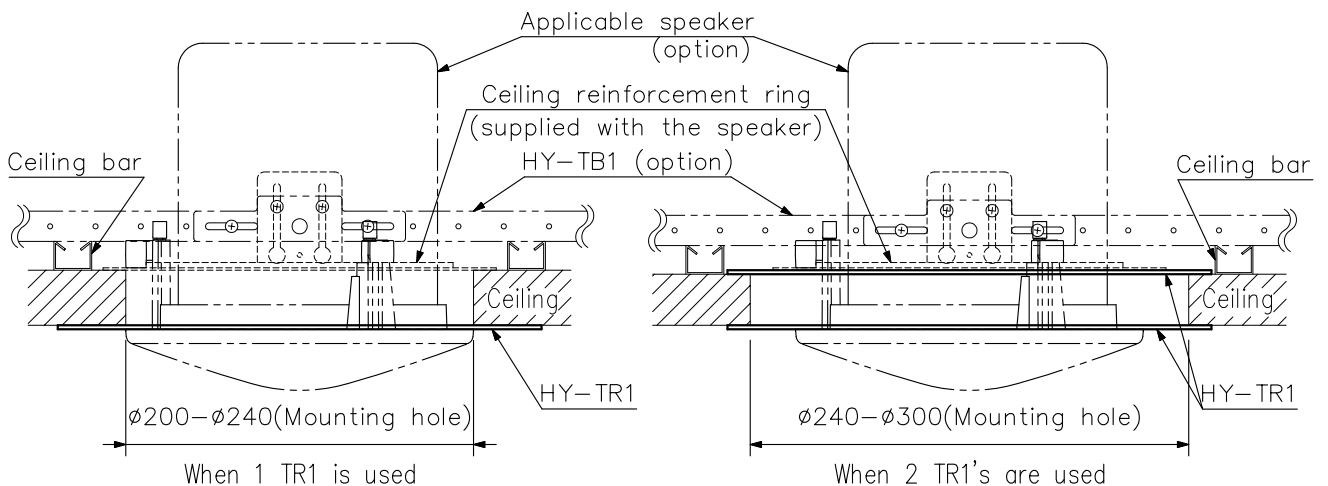
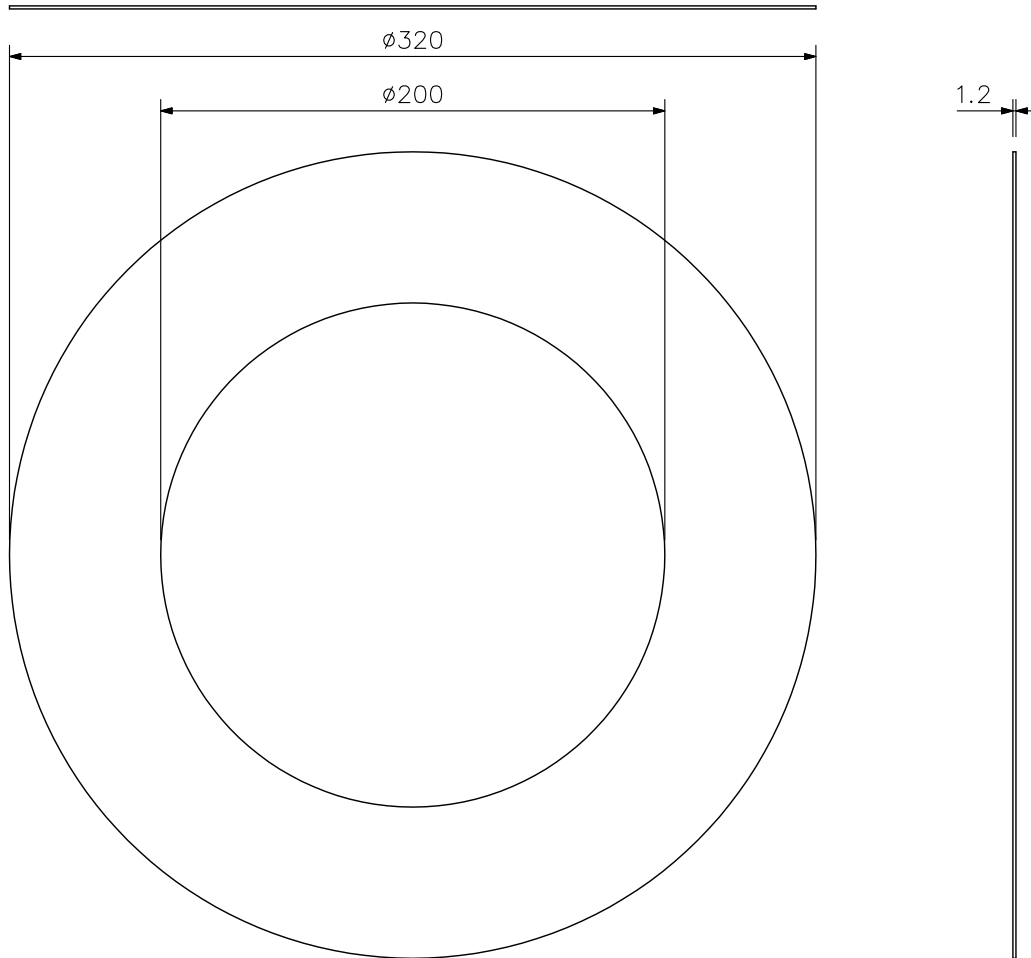
### DESCRIPTION

The HY-TR1 Trim Ring allows installation of flush-mounted ceiling speakers in pre-existing ceiling panel holes which are over 200 mm in diameter. The use of 2 Trim Rings allows the speaker to be mounted in holes from 240 mm to 300 mm in diameter.

### SPECIFICATIONS

|                       |   |
|-----------------------|---|
| Ceiling Hole Diameter | ø200 – ø300 mm                            |
| Finish                | Surface-treated steel plate, white, paint |
| Weight                | 500 g                                     |

### APPEARANCE



Mounting example (SCALE: 1/5)

UNIT:mm SCALE:1/3