

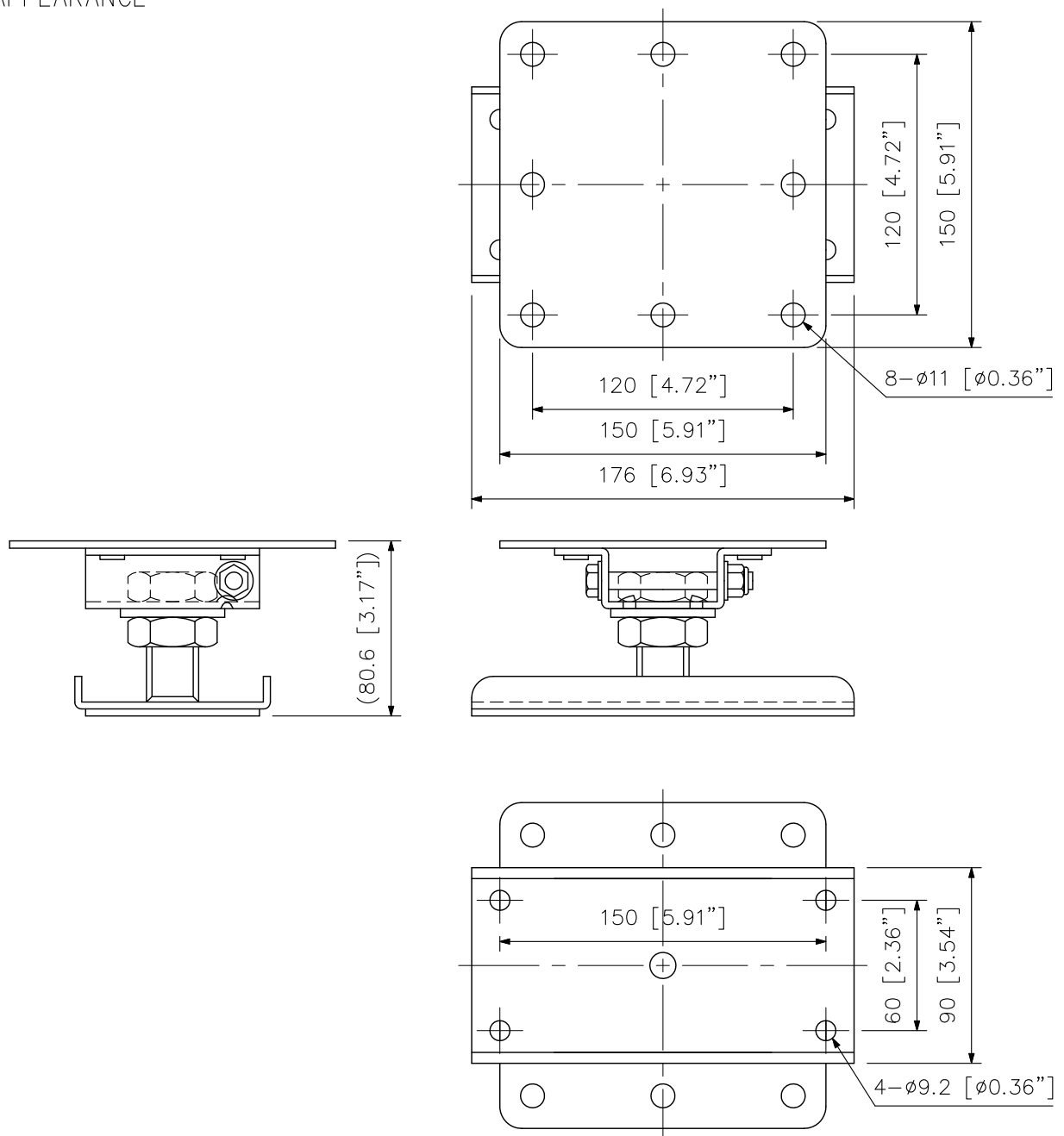
DESCRIPTION

The HY-C0801 Ceiling Mount Bracket is designed to mount the speaker system to a ceiling in conjunction with the optional speaker mount bracket.

SPECIFICATIONS

Applicable Speaker	ES-0851, HS-120B, HS-150B, HS-1200BT, HS-1500BT, HX-7B
Finish	Rolled steel plate, black, semi-gloss, paint
Maximum Speaker Load	35 kg (77.16 lb)
Weight	1.9 kg (4.19 lb)
Accessory	Speaker mounting bolt (with washer) 4
Option	Mounting bracket: HY-0851ST, HY-0852ST, HY-1200HB, HY-1200VB, HY-1500HB, HY-1500VB, HY-VM7B

APPEARANCE



UNIT:mm SCALE:1/3

Note: Numerical values in parentheses are for reference only.