

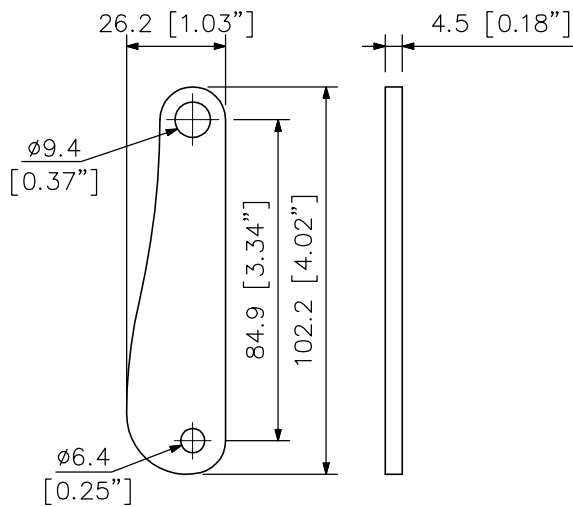
DESCRIPTION

By using three HY-60DW brackets, the directivity angle mode of the HX-7W can be changed to 60° mode. It is also possible to change the directivity angle mode to 15° mode, 30° mode, or 45° mode.

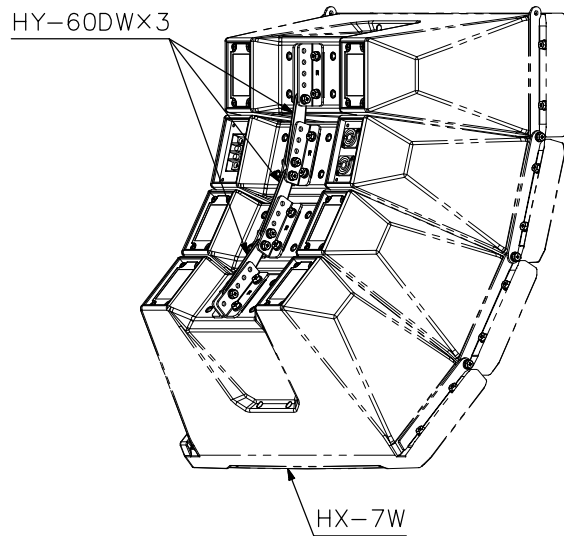
SPECIFICATIONS

Finish	Steel plate, white, semi-gloss, paint
Weight	70 g (0.15 lb)

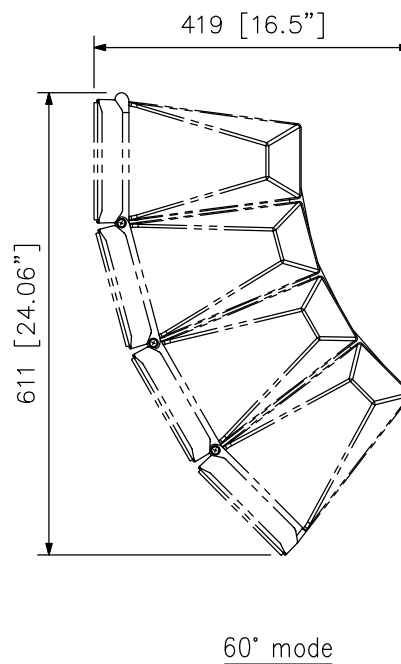
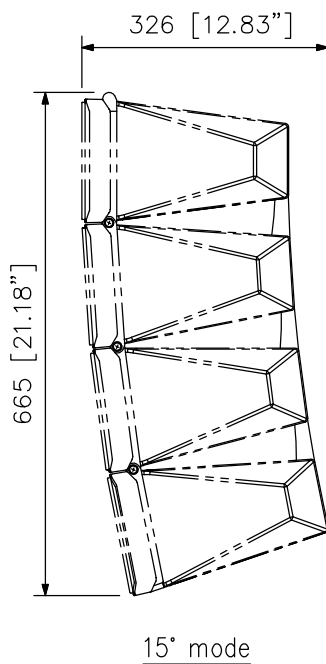
APPEARANCE



Mounting example (scale: 1/10)



Example for directivity angle modes (scale: 1/10)



UNIT: mm SCALE: 1/2