

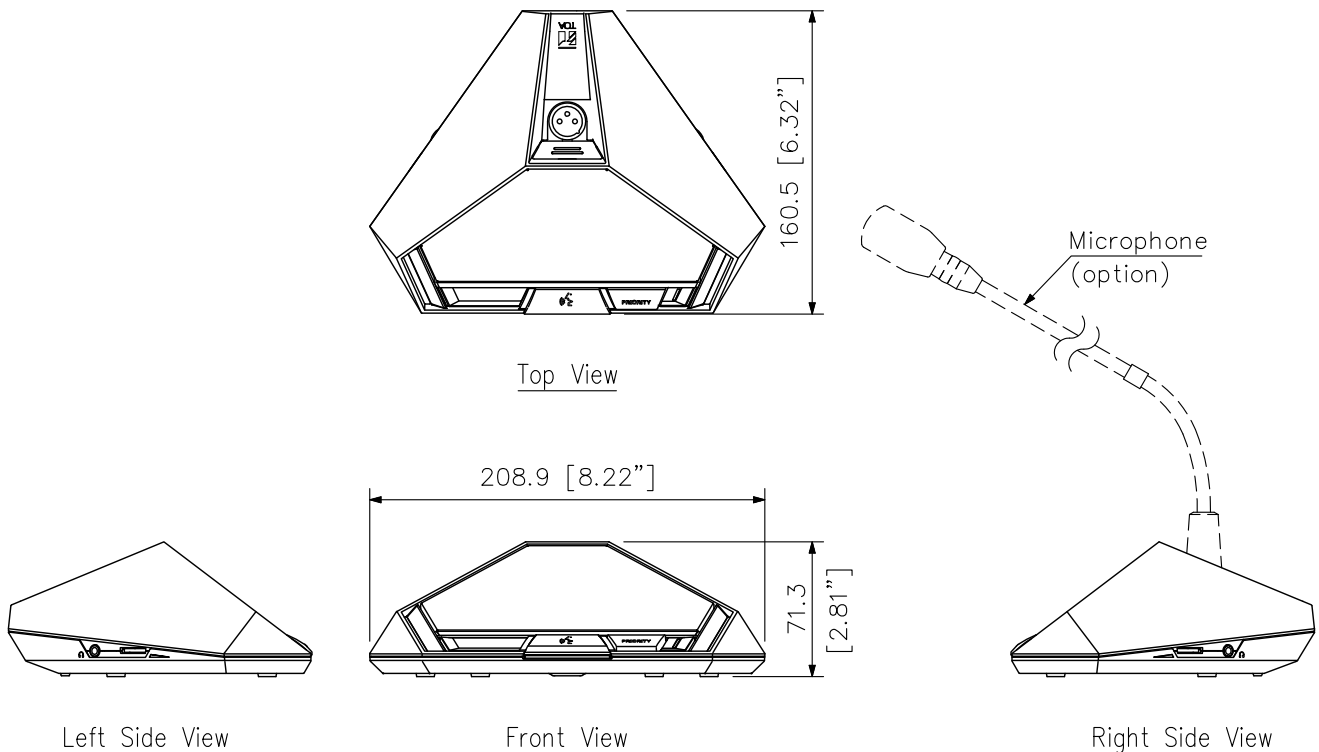
■DESCRIPTION

The Digital conference system's dedicated TS-D1000-CU Chairman unit can be instantly used by simply connecting it to the TS-D1000-MU Master control unit using CAT5e STP LAN cables. It can also be optionally equipped with either the TS-D1000-M1 Standard microphone or the TS-D1000-M2 Long microphone.

■SPECIFICATIONS

Power Source	24 V DC (supplied from the TS-D1000-MU Master control units (option), TS-D1000-SU Sub control units (option) or TS-D1000-EX Extension units (option))
Power Consumption	1.5 W or less
Signal to Noise Ratio	65 dB or more (A-weighted)
Input	Microphone terminal: XLR-3-31 type
Output	Monitor speaker: 8 Ω, 0.4 W Earphone: ø3.5 mm mini Jack (3P:monaural) x2
Speaker Output	75 dB SPL
Connecting Terminal	RJ45 connector x2
LED Indicator	Power indicator, Speech indicator
Function	Speech function, Priority speech function, Earphone volume control (x2)
Operating Temperature	0 °C to +40 °C (32 °F to 104 °F)
Operating Humidity	90 %RH or less (no condensation)
Finish	Case: ABS resin, black, mat finish, paint Speaker net: Steel plate, black, mat finish, paint
Dimensions	208.9 (W) x 71.3 (H) x 160.5 (D) mm (8.22" x 2.81" x 6.32")
Weight	880 g (1.94 lb)
Option	Standard microphone: TS-D1000-M1 Long microphone: TS-D1000-M2

■APPEARANCE



UNIT:mm SCALE:1/4