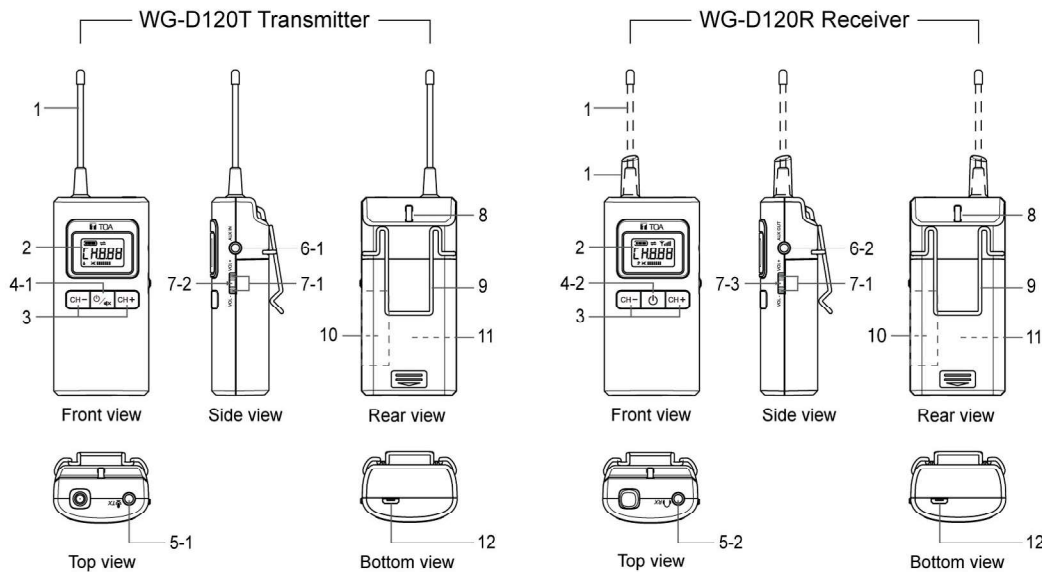
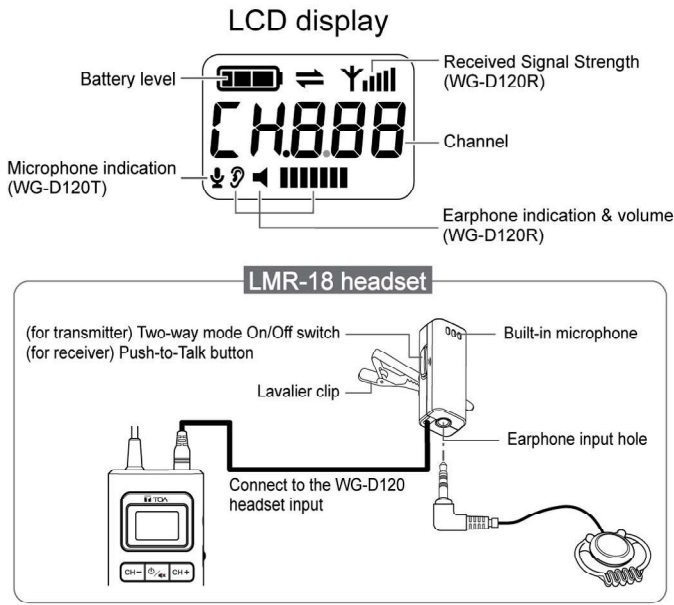


Diagram and Instructions



1. Antenna
2. LCD display
3. Channel adjustment
- 4-1. On / Off / Mic Mute / Set button
- 4-2. On / Off / Set button
- 5-1. Microphone / Headset input
- 5-2. Earphone / Headset output
- 6-1. Aux input
- 6-2. Aux output
- 7-1. Earphone volume control
- 7-2. Two-way mode On / Off switch
- 7-3. Push to Talk button
8. Lanyard connection point
9. Belt clip (Option)
10. Label area
11. Battery compartment and AA type battery x 1
12. Micro-USB charging port



Reboot or Restart when the LCD display is Frozen or Stuck

In the unlikely event that your tour guide system becomes frozen and unresponsive, you can attempt a force shut down by removing the battery, then put the battery back again and restart your guide system.

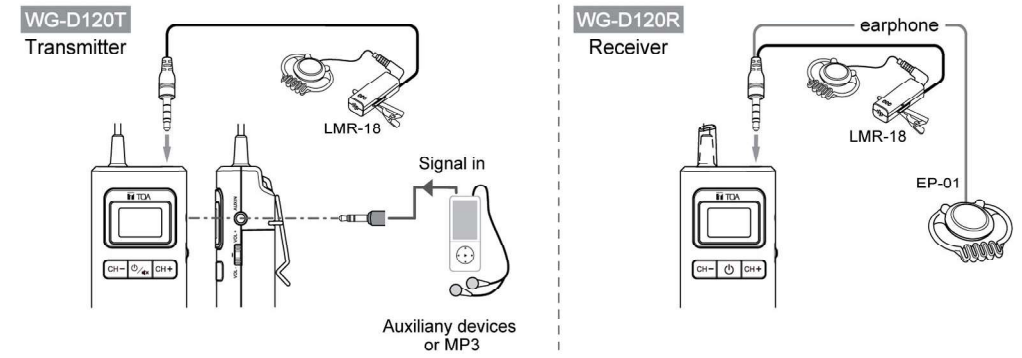
LCD Display Illustration

	WG-D120T Transmitter	WG-D120R Receiver		WG-D120T Transmitter	WG-D120R Receiver
	Channel change		Mic Mute	—	
	Earphone volume level 4		Two-way communication function ON		
	Earphone Mute		The Talk button on one of the receivers is being pressed		
	—	Good signal received		Full battery	
	—	No signal received		Low battery	

Operating Instructions

Microphone and Earphone Connection

- WG-D120T transmitter has a built-in microphone, one external microphone-level headset input (3.5mm) and one auxiliary-level input (3.5mm). You can choose to use the built-in microphone or external microphone. When you connect an external microphone to the transmitter, the built-in microphone is automatically disabled. Once you unplug the external microphone, the built-in microphone will resume its use again.
 - ⚠ The built-in microphone can only be used in one-way mode.
 - ⚠ Make sure that the microphone or the auxiliary device is connected to the correct input socket. The microphone will not operate properly if connect to the aux input socket.



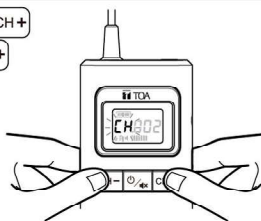
- WG-D120R Receiver has a separate earphone output / Headset connector (3.5mm) and an aux level output (3.5mm). Connect the earphones to the 3.5mm earphone output or connect the recorder to the aux output to capture the content. Make sure the connectors are properly inserted in place.

Power On and Off

- Press and hold the power button / for 2 seconds to turn on the system. The LCD display will illuminate and retrieve the channel number used last time to indicate Power on successfully.
- Press and hold the power button / for 2 seconds to turn the Power off.
- ⚠ Energy saving- Receiver will automatically power off if no signal is received after about 20min.

How to select a channel

- The channel is preset to **CH001**. If you wish to select a different channel, press **CH-** and **CH+** buttons simultaneously for 2 seconds. The **CH** sign starts flashing, then press **CH-** or **CH+** button to select your desired channel. Press **Power** / **Volume** button briefly to confirm the selected channel or wait for approximately 5 seconds to automatically store the selected channel.



Press both buttons for 2 seconds to unlock the channel setting

⚠ Make sure that the transmitter and receiver(s) operate on the same channel.

This symbol will appear on the receiver indicating that the receiver is receiving a good signal from the transmitter. The receiver display will keep flashing when no transmission signal is being received.

Channel memory

WG-120D can automatically memorize the channel number. It will set to the last used channel when power on next time.

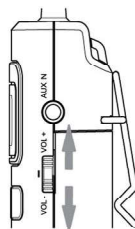
Channel SYNC - Automatic channel synchronization between transmitter and receiver

Within the same group, when you change the transmitter's channel number, the receiver's channel number is wirelessly synchronized to the new channel.

How to adjust the Volume

Transmitter: Using microphone / headset

- Press mute button briefly to mute the transmitter microphone . Press the same button once again to recover. If the transmitter is muted for more than 20 minutes, it will turn off.
- Press down and up the **VOL-** **VOL+** button to decrease or increase the earphone volume. There are 8 adjustable levels from to . The LCD display when earphone is muted.



Earphone Volume UP/Down

Receiver:

- Receiver earphone volume is preset at level 4.
- Press down and up the **VOL-** **VOL+** button to decrease or increase the earphone volume. There are 8 adjustable levels from to .
- The LCD display when earphone is muted.

Volume memory

WG-120D can automatically memorize the volume level. It will set to the last used volume when power on next time.

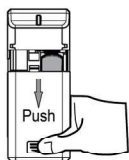
Battery Autonomy and Charging

- When battery icon is displayed at fully autonomy , the battery contains sufficient power.
- When the battery icon shows exhausted and keep flashing , this indicates low battery and only 5~10% battery remaining. Please replace a new battery or charge the rechargeable battery immediately via USB certified traveling charger (optional accessories) or appropriated Linkx charger station.
- The charging current is set to approx. 255 mA. For safety precautions, there is a safety timer that will terminate charging after 12 hours of continuous charging. For instance, a fully charged 2600 mAh rechargeable battery provides approximately 14 hours of continuous operation for receiver and 12 hours of continuous operation for transmitter; however, please note that actual battery life varies based on user setting, usage patterns, environmental conditions, battery manufacturer and other factors.

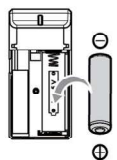
⚠ The transmitter or receiver will shut down automatically when charging is taking place. If you want to use the system while it's charging, simply press the power button again to turn the system back on.

How to replace the battery

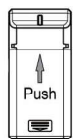
Step 1 Open the battery compartment cover



Step 2 Replace with a new battery.(make sure you follow the correct polarity)



Step 3 Close the battery compartment cover firmly.

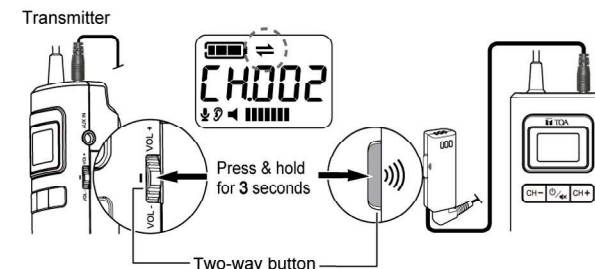


Initiate Two-Way Communication Function

The transmitter has the control of activating the two-way function. While transmitter is speaking, system allows one of the receivers to join the conversation. The conversation will be heard by all the participant within the group.

Transmitter:

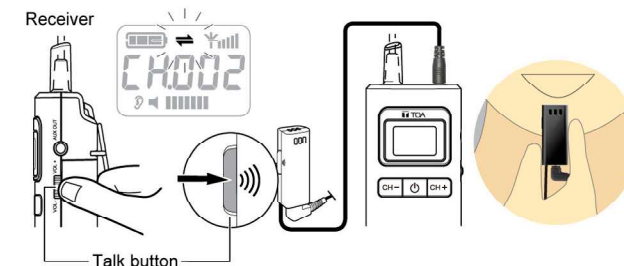
- To activate the two-way mode, press the center of the 3-way lever switch on the side of the transmitter for 3 seconds or the external headset's two-way talk button for 3 seconds. The two-way mode icon will appear.
- Confirm that the receiver has heard the transmitter loud and clear.
- Press the same 3-way lever switch or the talk button again for 3 seconds, or unplug the headset to end this two-way communication function. The two-way mode icon will then disappear.



Receiver:

When using an external headset LMR-18

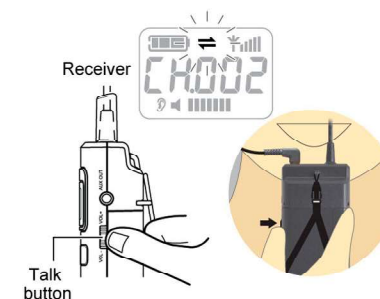
- The Talk button is located on the center of the 3-way lever switch, or it is the push button on the external headset.
- The receiver can make speech by press & hold the Talk button and speak to the external headset. The two-way icon will flash when one of the receiver's Talk button is pressed.
- The earphone can hear the sound of its own and the sound from the transmitter and other receivers.
- Release the Talk button after the end and allow next receiver to speak.



⚠ The built-in microphone can only be used in two-way mode.

Use built-in microphone and external earpiece

- The Talk button is located on the center of the 3-way lever switch.
- The receiver can make speech by press & hold the Talk button and speak to the built-in microphone on top. The two-way icon will flash when one of the receiver's Talk button is pressed.
- The earphone can hear the sound of its own and the sound from the transmitter and other receivers.
- Release the Talk button after the end and allow next receiver to speak.



⚠ The system only allows a single receiver to speak at the same time

- Quick double-click the talk button - receiver switches to permanent talk mode**

When the receiver need to make long speech, quick double-click the talk button to lock it into talk mode. The receiver now has the talk priority over other received. You do not need to hold the talk button while talking. Briefly click the talk button to unlock this mode.