

### DESCRIPTION

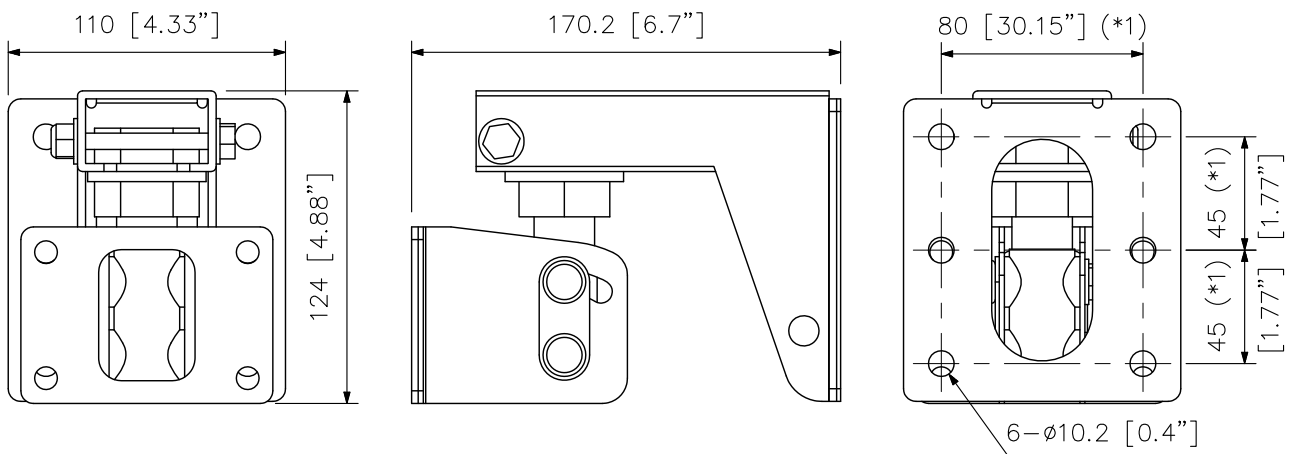
The HY-WM08 is the dedicated wall mounting bracket for the SR-F08 speaker system, designed to be hardly noticeable when installed. It allows the speaker system to be installed in a vertical orientation and its direction angle to be adjusted up to 30° downward and up to 60° horizontally.

### SPECIFICATIONS

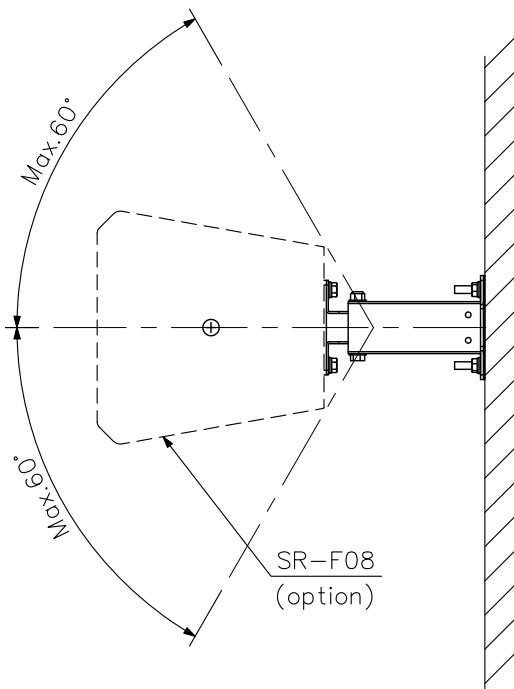
Finish	Steel plate, black, semi-gloss, paint
Dimensions	110 (W) × 124 (H) × 170.2 (D) mm (4.33" × 4.88" × 6.7")
Weight	1.8 kg (3.97 lb)
Accessory	Speaker mounting bolt ×4

Note: Wall mounting bolts and nuts are not supplied.

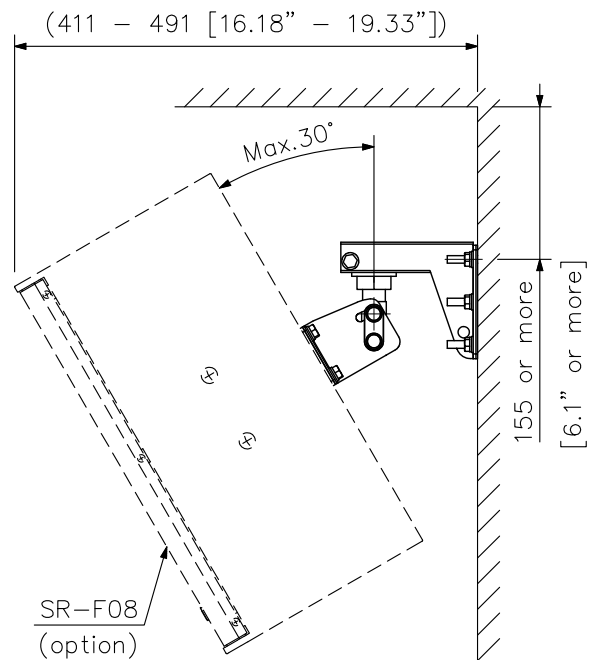
### APPEARANCE



(\*1) Numerical values are for wall mounting.



(View from the top)



Mounting example

UNIT:mm SCALE:1/3

Note: Numerical values in parentheses are for reference only.