



CEILING MOUNT SPEAKER 6INCH 6W

PC-2360

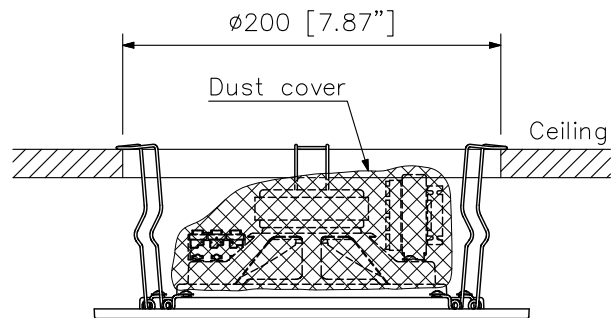
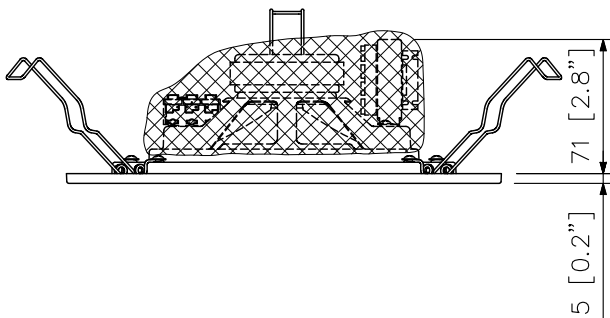
DESCRIPTION

The PC-2360 Ceiling Mount Speaker is of all metallic construction and ideal for use in a voice alarm system or BGM system. It feature spring clamp mechanism for easy mounting to the ceiling. The input impedance can be easily changed by changing the tap position of the transformer. The push-in type input terminal block makes cable connection easy and allow bridge wiring.

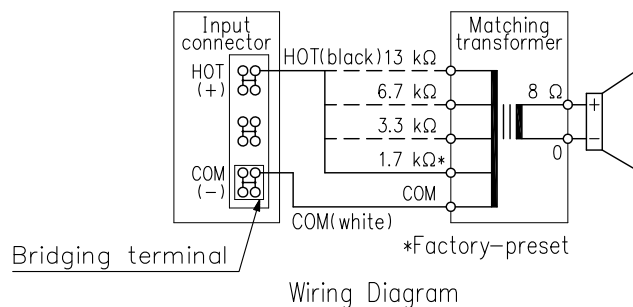
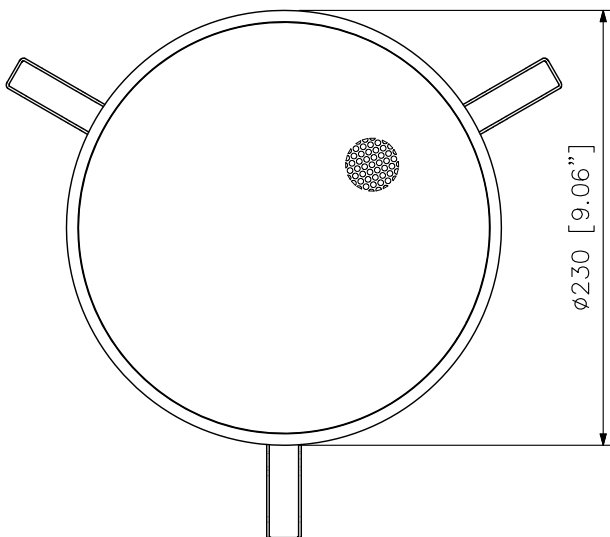
SPECIFICATIONS

| | |
|----------------------------|---|
| Rated Input | 6 W (100 V line), 3 W (70 V line) |
| Rated Impedance | 100 V line: 1.7 kΩ (6 W), 3.3 kΩ (3 W), 6.7 kΩ (1.5 W), 13 kΩ (0.8 W) 70 V line: 1.7 kΩ (3 W), 3.3 kΩ (1.5 W), 6.7 kΩ (0.8 W), 13 kΩ (0.4 W) |
| Sensitivity | 94 dB (1 W, 1 m) (500 Hz - 5 kHz, pink noise) |
| Frequency Response | 60 Hz - 20 kHz (peak -20 dB) |
| Speaker Component | 16 cm (6") cone-type |
| Operating Temperature | -10 °C to +50 °C (14 °F to 122 °F) |
| Dimensions for Fixing Hole | Mounting hole: $\phi 200 \pm 3$ mm (7.87" \pm 0.12") Ceiling thickness: 5 - 25 mm (0.2" - 0.98") |
| Speaker Mounting Method | Spring clamp |
| Applicable Cable | Solid wire: 0.5 - 3 mm ² (AWG 20 - 12) |
| Connection | Push wire connection (Bridging terminal-2 branch type) |
| Finish | Frame: Steel plate, white (RAL 9016 equivalent), paint Grille: Steel net, white (RAL 9016 equivalent), paint |
| Dimensions | $\phi 230 \times 76$ (D) mm (9.06" \times 2.99") |
| Weight | 740 g (1.63 lb) |
| Accessory | Paper pattern *1 |

APPEARANCE



Mounting Diagram



Wiring Diagram

Note: Use transformer terminals when changing input impedance.

UNIT: mm SCALE: 1/4