

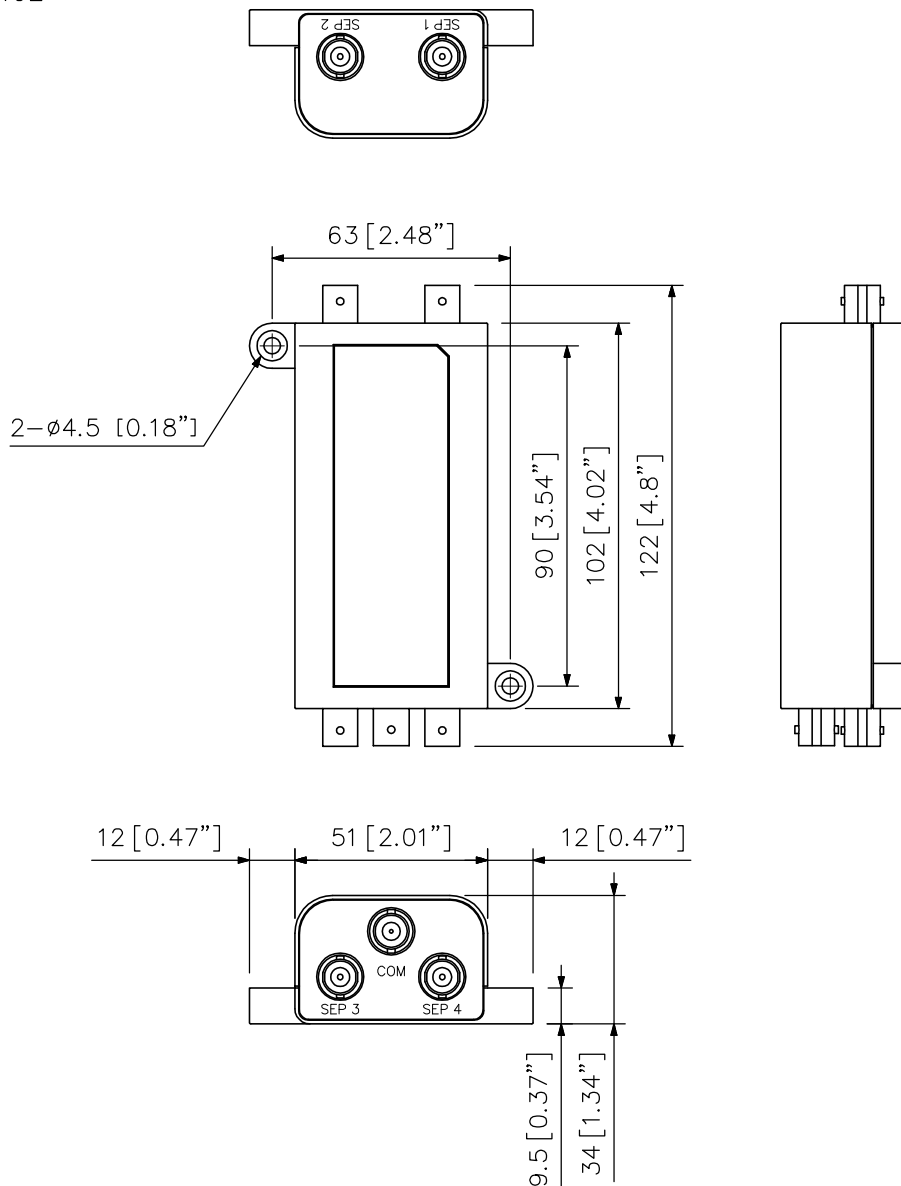
DESCRIPTION

The YW-1024 is a distributor that can work in the frequency range of 1.6 to 1000 MHz (except 50 to 70 MHz). Power passing type permits easy power supply.

SPECIFICATIONS

Frequency Range	1.6 – 1000 MHz (excluding 50 – 70 MHz)
Distribution Loss	8.5 dB \pm 3 dB (between the Mixing and each Distribution terminals)
Input/Output Impedance	75 Ω
Coaxial Connector	Mixing terminal: BNC jack, power passing type (30 V DC or less, 2 A or less) Distribution 1 – 4 terminals: BNC jack, power passing type (30 V DC or less, 1 A or less)
Operating Temperature	-10 °C to +50 °C (14 °F to 122 °F)
Operating Humidity	90 %RH or less (no condensation)
Finish	ABS resin, gray
Dimensions	75 (W) \times 122 (H) \times 34 (D) mm (2.95" \times 4.8" \times 1.34")
Weight	120 g (0.26 lb)
Accessory	Unit fixing wood screw (4.1 \times 25) \times 2

APPEARANCE



UNIT: mm SCALE: 1/2