

DESCRIPTION

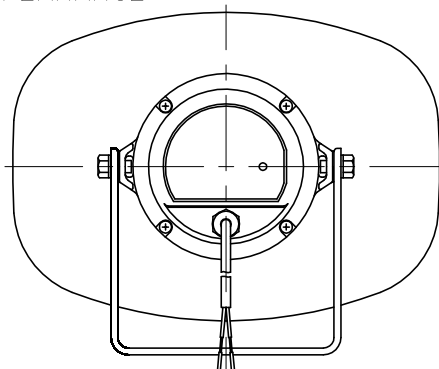
The SC-630M is a compact, highly intelligible speaker suited to public address announcement applications. Its external speaker component finished with powder coating, and stainless steel bracket and screws ensure the unit's weatherproof capability.

SPECIFICATIONS

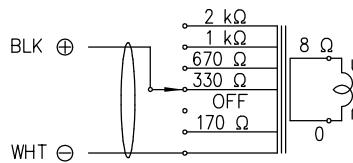
Rated Input	30 W
Line Voltage	100 V line or 70 V line
Rated Impedance	100 V line: 330 Ω (30 W), 670 Ω (15 W), 1 kΩ (10 W), 2 kΩ (5 W) 70 V line: 170 Ω (30 W), 330 Ω (15 W), 670 Ω (7.5 W), 1 kΩ (5 W), 2 kΩ (2.5 W)
Sound Pressure Level	113 dB (1 W, 1 m at 500 Hz to 2.5 kHz peak level)
Frequency Response	250 Hz - 10 kHz
Dust/Water Protection	IP65
Polarity	Hot: Black, Com: White
Operating Temperature	-20 °C to +55 °C (must be free from dew condensation)
Finish	Horn flare: Aluminum, off-white, powder coating Reflector horn and rear cover: ABS resin, off-white Bracket, screws and bolts: Stainless steel Speaker cable: Polyvinyl chloride insulated cabtyre cable (6 mm in diameter, 600 mm in length)
Dimensions	285 (W) × 227 (H) × 277 (D) mm
Weight	2 kg
Option	Swivel bracket: YS-151S (Can be used instead of the supplied bracket.)

Note: Avoid installing the speaker in locations which vibrate considerably, or under environments easy to be oil-contaminated.

APPEARANCE



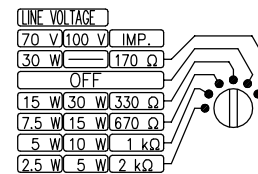
Rear View



(Transformer connection when the speaker is supplied from the factory)

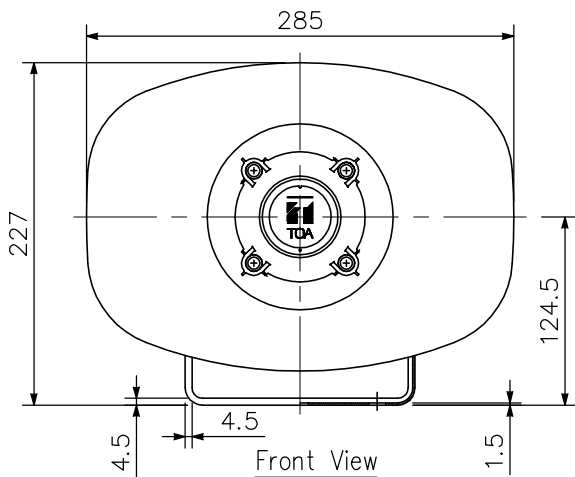
Wiring diagram

CAUTION
NEVER SET THE SWITCH TO "OFF" POSITION FOR 100 V LINE OPERATION, AS DOING SO MAY RESULT IN DAMAGE TO THE SPEAKER.

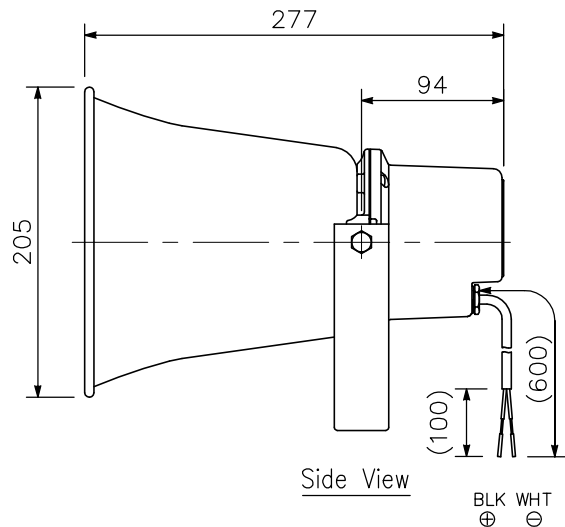


Set the impedance selector to the desired impedance.

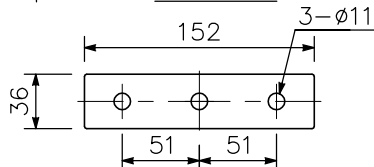
Impedance selection



Front View



Side View



Bracket dimensional diagram

UNIT: mm SCALE: 1/5

Note: Numerical values in parentheses are for reference only.