



■DESCRIPTION

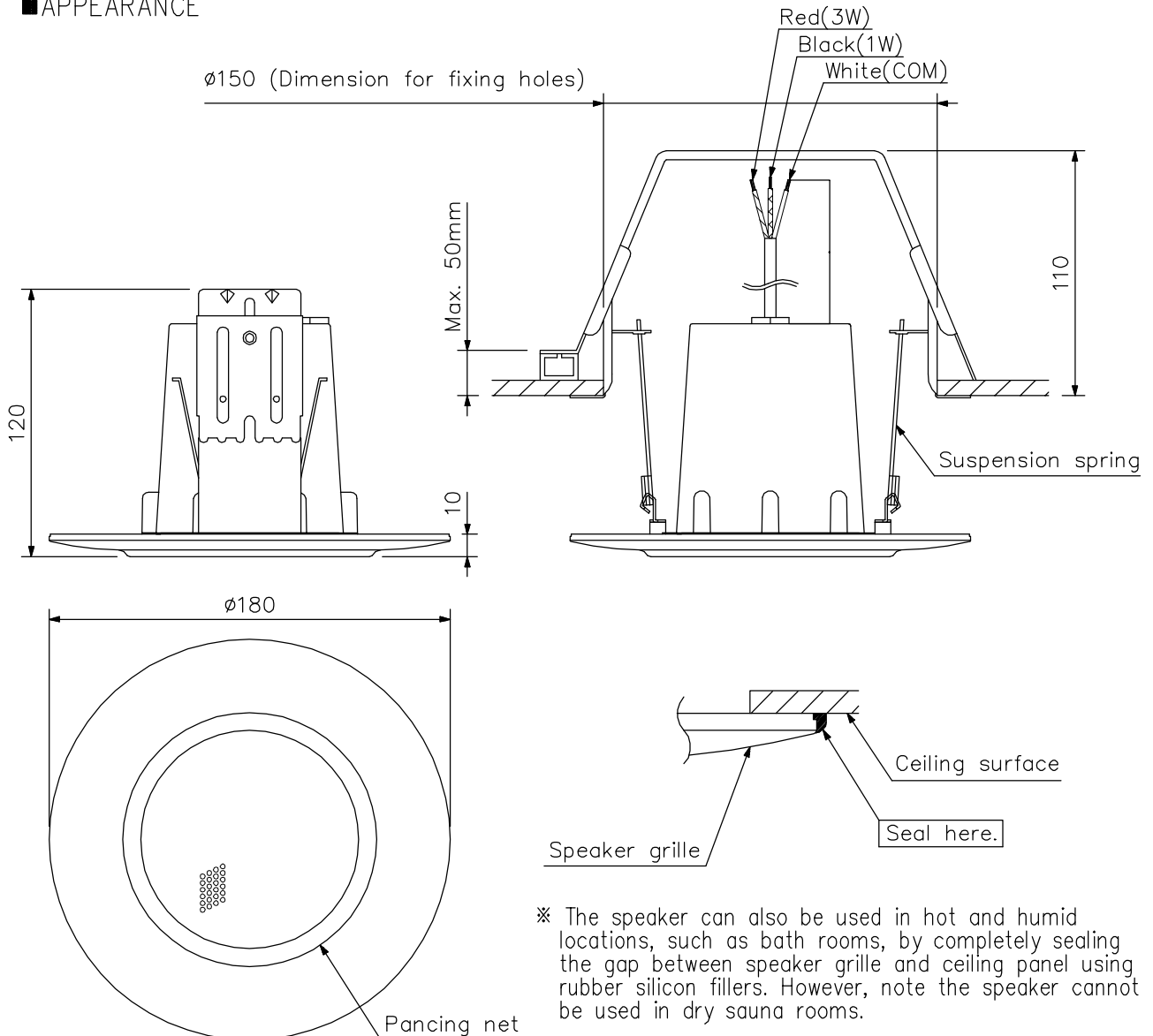
The TOA PC-3WR is a completely-sealed, flush-mounted ceiling speaker employing a high power handling, splash-proof, small full-range speaker. It can be quickly installed by means of a spring catch system, reducing labor in construction work. Its ideal applications include washrooms, locker rooms of the pool, and other humid locations.

■SPECIFICATIONS

Rated Power	3 W, 1 W
Rated Impedance	3.3 kΩ (3 W), 10 kΩ (1 W)
Sound Pressure Level	88 dB (1 W, 1 m)
Frequency Response	180 Hz - 20 kHz
Ambient Temperature	-10 °C to +50 °C
Dust/Water Protection	IP64
Finish	Frame and case: ABS resin, off-white Punching net: stainless steel
Dimensions	ø180 × 120 (D) mm
Weight	700 g
Dimension for Fixing Holes	ø150 mm (The speaker can be mounted to the ceiling panel with thickness of up to 50 mm)

[Note] Avoid using unit in locations where it is splashed with water.

■APPEARANCE



※ The speaker can also be used in hot and humid locations, such as bath rooms, by completely sealing the gap between speaker grille and ceiling panel using rubber silicon fillers. However, note the speaker cannot be used in dry sauna rooms.

UNIT:mm SCALE:1/3